

## VALVES SERIES 70, MECHANICALLY OPERATED, 1/8"

### TECHNICAL DATA

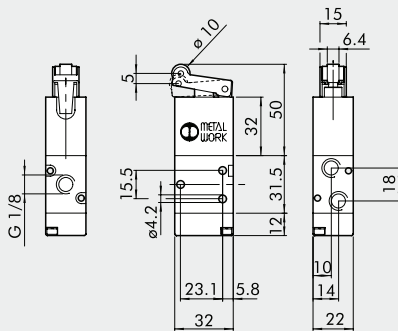
Thread at valve ports		1/8"
Operation force at 6 bar:		
• version with direct control	N	50
• pilot-assisted version	N	6
Operating pressure:		
• version with direct control	bar	Vacuum to 10
• pilot-assisted version	bar	2.5 to 10
Operating temperature range	°C	-10 to +60
Nominal diameter	mm	5
Conductance C	Nl/min · bar	121.43
Critical ratio b	bar/bar	0.32
Flow rate at 6 bar ΔP 0.5 bar	Nl/min	400
Flow rate at 6 bar ΔP 1 bar	Nl/min	550



### SYNOPTIC, SIZES AND VERSIONS

M E V	2	3	T A	S	N C
FAMILY	DIMENSIONS	FUNCTION	OPERATORS 14	RESETTING (12)	FURTHER DETAILS
MEV mechanically-operated valves	2 1/8"	3 3/2 5 5/2	TA plunger BR bidirectional roller UR unidirectional roller TS sensitive plunger RS sensitive roller AS sensitive aeral LL frontal roller lever	S mechanical springs A pneumatic/mechanical spring*  *on demand	NC normally closed OO no indication

### PILOT-ASSISTED ROLLER LEVER 3/2 NC, 1/8"



Symbol	Code	Abbrev.	Weight [g]
	7001000400	MEV 23 RSS NC	138